

Automatic Swing Doors



The DRS range of automatic swing door applications allow our operators to be integrated into a new door or installed onto your existing entrance doors.

Our swing doors are suitable for both internal and external use. They are ideal for schools, hospitals, shopping centres, nursing homes, doctors surgeries and public buildings.

Functions such as sensor activation and safety detection sensors make our doors safe inconspicuous and convenient to use.

'Low Energy' applications are a cost effective way of automating your doors for DDA compliance.

Our range of automatic operators caters for all types of installation from internal doors to heavy duty external access.

The sleek covers can be installed in a wide range of finishes to blend into the building environment.



Specifications:

Configurations

- Surface applied
- Concealed 'In-head' drive
- Out-swing
- In-swing
- Breakout
- Low energy

Key Features

- 'In-head' mounting will eliminate the units from eye line, helping to achieve a clean line for the building.
- Breakout facility allows doors to open outwards in emergency situations.
- From just 10cm – allowing fitting in the smallest of spaces
- Fully adjustable safety features

Operating modes

- Automatic
- Hold open
- Off
- One way activation

Integration

Easy integration is available via our 'smart' microprocessor control unit.

- Fire alarms
- Breakout
- Access control
- Building monitoring
- Key pads

Integration

A wide range of activation devices can be installed with your automatic door system to allow it to be tailored to your requirements. These include:

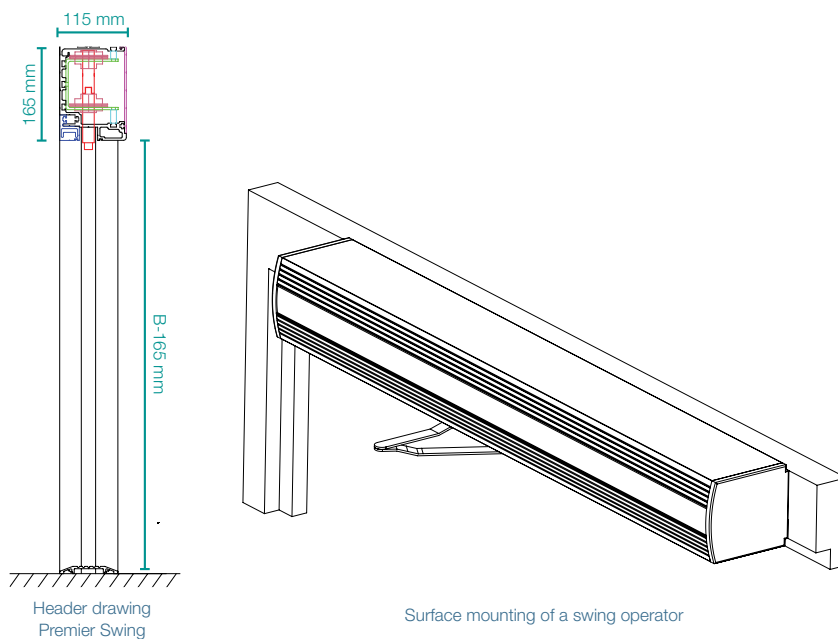
- Sensors
- Mechanical press pads
- Touch less buttons
- Presence mats
- Keypads & proximity access controls
 - High security access control – finger print readers, biometrics etc.

Finishes & Materials

A wide range and diversity of finishes are available. They include but are not limited to:

- Anodised aluminium
- Powder coated aluminium
- Timber
- Powder coated steel
- Stainless steel
- 'All glass' effect

Technical Data:



For more information or to speak to one of our advisors, please contact us at;
Phone: 0845 226 2823 Fax: 0845 226 2824
sales@drs-doors.com www.drs-doors.com

